

## ISO 4400 PLUGS type KA

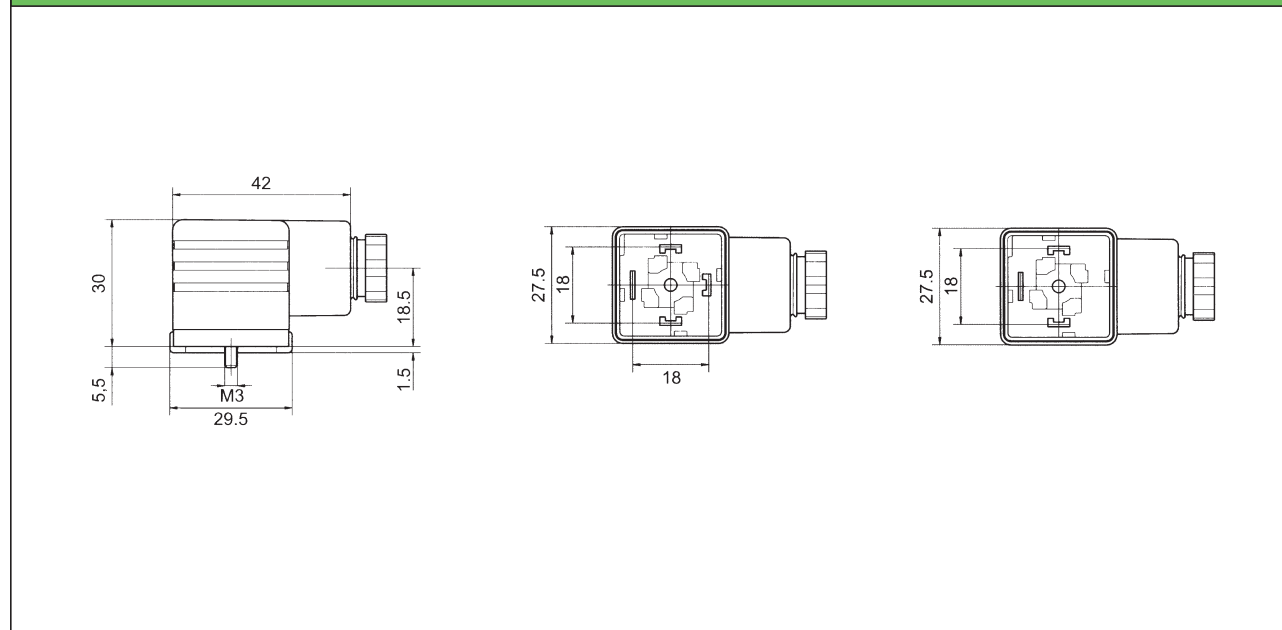
- Electric plugs for hydraulic solenoid operated valve
- Protection class: IP65
- Insulation group: C (VDE 0110 1/89)
- Maximum voltage: AC 250V – DC 300V
- Nominal current: 10A
- Maximum current: 16A (at 40°C)
- Contacts resistance:  $\leq 4m\ \Omega$
- Gasket material: NBR
- Fixing screw: M3 x 32



TECHNICAL DATA				
ORDERING CODE	Cable connection	Max wires section [mm <sup>2</sup> ]	Colour	Poles
<b>KA-132000B1</b>	PG 11 (8-10mm)	3 x 1,5mm <sup>2</sup>	Black	2+G
<b>KA-132000A1</b>	PG 11 (8-10mm)	3 x 1,5mm <sup>2</sup>	Grey	2+G

TECHNICAL DATA					
ORDERING CODE	Circuit	Input voltage [V]	Colour	Cable conn.	Poles
<b>KA-132R13B1</b>	Current Rectifier	230 AC	Black	PG 11	2+G
<b>KA-132D54T1</b>	Diode + yellow LED	12-24 DC	Transparent	PG 11	2+G
<b>KA-132L34T1</b>	Bipolar yellow LED	12-24 AC/DC	Transparent	PG 11	2+G
<b>KA-132L35T1</b>	Bipolar yellow LED	115 AC/DC	Transparent	PG 11	2+G
<b>KA-132L36T1</b>	Bipolar yellow LED	230 AC/DC	Transparent	PG 11	2+G
<b>KA-132V54T1</b>	Varistor + yellow LED	12-24 AC/DC	Transparent	PG 11	2+G

## OVERALL DIMENSIONS



Subject to technical and dimensional changes without notice