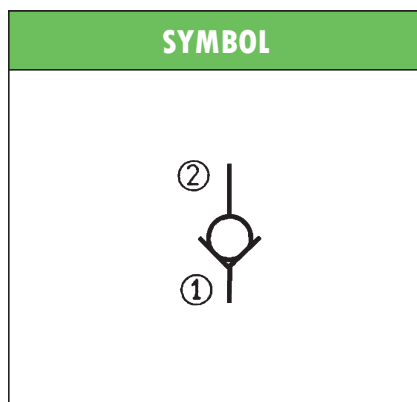


HYDRAULIC SCREW-IN CHECK VALVES type **VUC** DIRECT ACTING

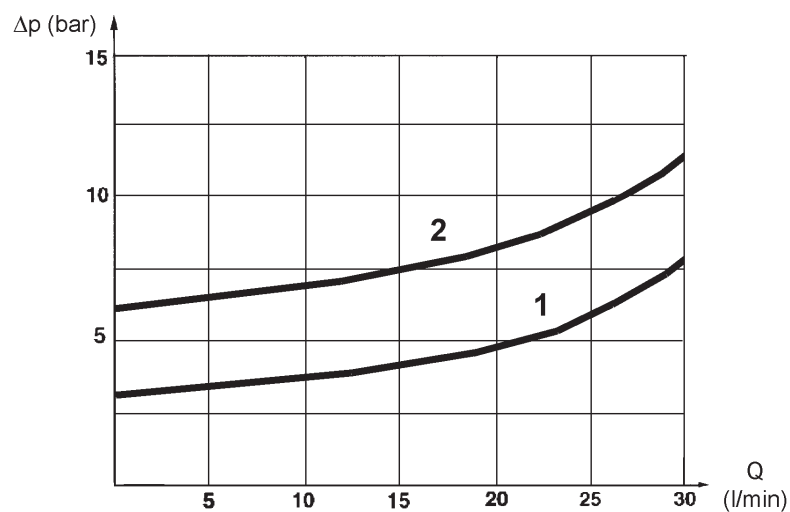
- Suitable for standard cavity **3/4" 16 UNF**
- 2-way direct acting check valve
- One direction flow, poppet valve
- Maximum operating pressure: 320 bar
- Maximum recommended flow rate: 32 l/min
- Steel body
- Poppet in hardened and grinded steel
- External parts burnished
- Mass 0,05 kg



ORDERING CODE	
VUC-34.00	
VUC	Direct acting check valve
34	Size (3/4" 16 UNF)
00	Spring type: 00 – Cracking pressure (opening) 3 bar 01 – Cracking pressure (opening) 8 bar

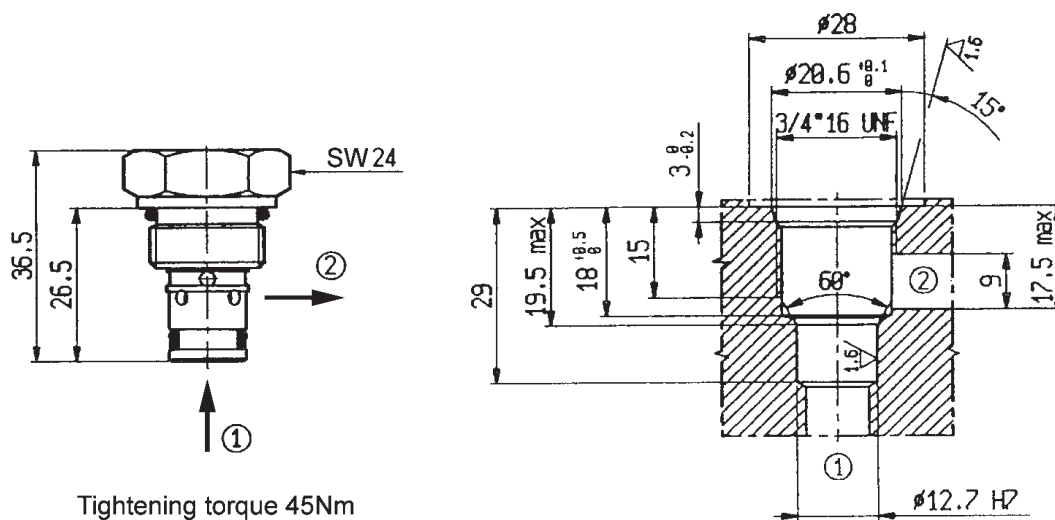
TYPICAL DIAGRAM

Typical Δp - Q curves for valves **VUC-34**, with mineral oil at 36cSt and 50°C for flow 1→2



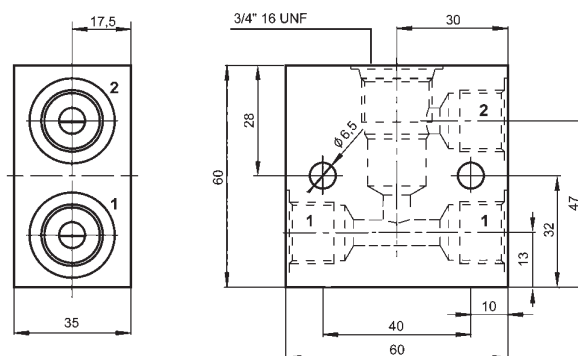
1) Spring type 00 2) Spring type 01

OVERALL DIMENSIONS



Subject to technical and dimensional changes without notice

LINE ASSEMBLY BODY



Code	Ports
LAB-34-2/14	1/4" BSP
LAB-34-2/38	3/8" BSP
Mass: 0,25 kg	

Suitable for standard 2-way screw-in valves, cavity 3/4" 16 UNF.
 Designed for in-line assembly, either parallel or in series one, LAB aluminium bodies are supplied with one service port (1) plugged.